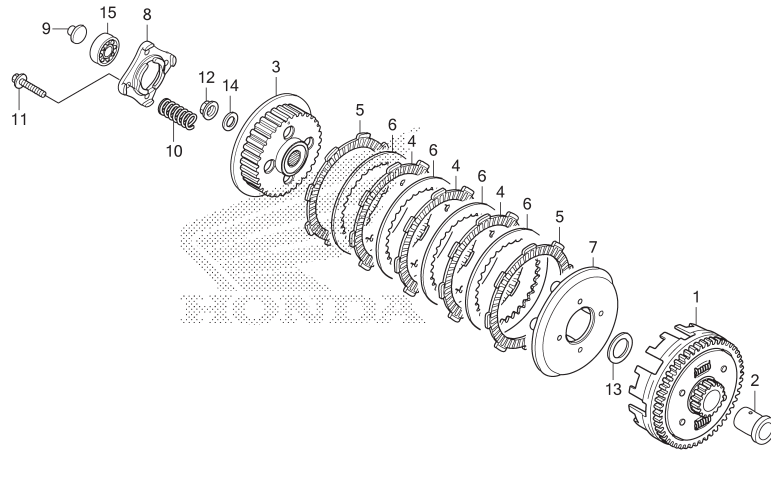


E-8

CLUTCH



No. Ref.	L.O.N.	(Nomor ref. relatif) Deskripsi	F.R.T.
1	2121A0	OUTER, CLUTCH	1,0
3	212112	CENTER, CLUTCH	1,0
5		(4,6,7)	
	2121A1	DISC, CLUTCH FRICTION	1,0
		.CATATAN : Waktu sama untuk 2 unit atau lebih	
8	2121A4	PLATE, CLUTCH LIFTER	0,7
9	2121B6	ROD, CLUTCH LIFTER	0,6
10	212107	SPRING, CLUTCH	0,7
		.CATATAN : Waktu sama untuk 2 unit atau lebih	
15	2121B4	BEARING, CLUTCH LIFTER	0,7

No. Ref.	No. Part	Deskripsi	JUMLAH MEGAPRO PGM-FI (GL150MC) CW (MC) E	No. Seri	Kode Parts Catalog
1	22100-KWF-940	OUTER COMP., CLUTCH	1		
2	22115-KSP-910	GUIDE, CLUTCH OUTER	1		
3	22120-KRM-840	CENTER, CLUTCH	1		
4	22201-KPM-850	DISK, CLUTCH FRICTION(4X8X45)	3		
5	22201-MR8-000	DISK, CLUTCH FRICTION	2		
6	22321-KPS-900	PLATE, CLUTCH	4		
7	22355-KRM-840	PLATE, CLUTCH PRESSURE	1		
8	22361-KPK-900	PLATE, CLUTCH LIFTER	1		
9	22366-KSP-910	ROD, CLUTCH LIFTER	1		
10	22401-KRM-840	SPRING, CLUTCH	4		
11	90008-KRM-840	BOLT, FLANGE, 6X25	4		
12	90202-KRM-840	NUT, SPECIAL FLANGE, 14MM	1		
13	90401-KRM-840	WASHER, PLAIN, 17MM	1		
14	90501-KPT-A00	WASHER, 14.1X29X2.8	1		
15	96100-60030-00	BEARING, RADIAL BALL, 6003(SK)	1		

