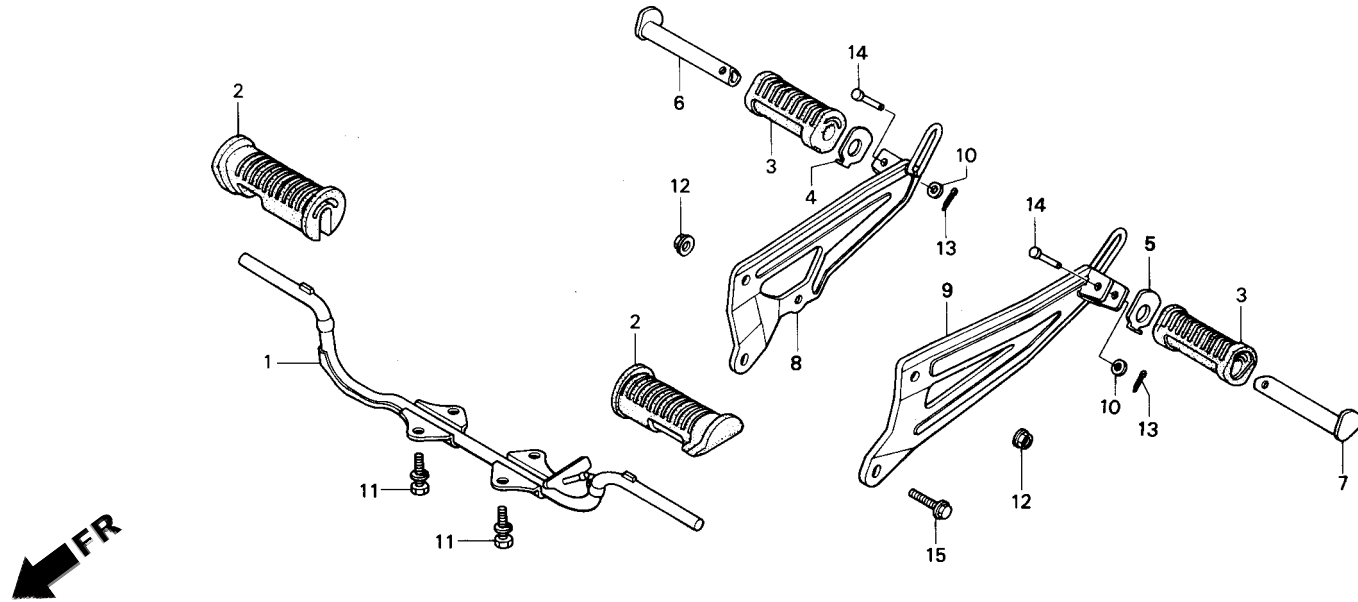


F - 18

Step



Service item	F.R.T.	No.	Part Number	Description	Q'ty	Notes
BAR COMP., STEP	0.3	1	50610-KFV-840	BAR COMP., STEP	1	
RUBBER, STEP	0.1	2	50661-GN8-F00	RUBBER, STEP	2	
(ONE OR ALL)						
.BAR, R. PILLION STEP		3	50710-GN5-830	RUBBER, PILLION STEP	2	
(INC. RELATIVE PART)		4	50711-GN5-830	PLATE, P. PILLION STEP	1	
.BAR, L. PILLION STEP		5	50712-GN5-830	PLATE, L. PILLION STEP	1	
(INC. RELATIVE PART)		6	50713-GN5-830	BAR, R. PILLION STEP	1	
BRACKET, R. PILLION STEP	0.2	7	50714-GN5-830	BAR, L. PILLION STEP	1	
.BRACKET, L. PILLION STEP		8	50715-GN5-830ZA	BRACKET, R. PILLION STEP	1	
		9	50716-GN5-830ZA	BRACKET, L. PILLION STEP	1	
		10	90502-GN5-830	WASHER, SPECIAL, 6MM	2	
		11	93402-08020-00	BOLT-WASHER, 8X20	4	
		12	94050-10000	NUT, FLANGE, 10MM	2	
		13	94201-16150	PIN, SPLIT, 1.6X15	2	
		14	95015-81000	PIN A, PILLION STEP	2	
		15	95701-08016-00	BOLT, FLANGE, 8X16	1	

15.01.2001