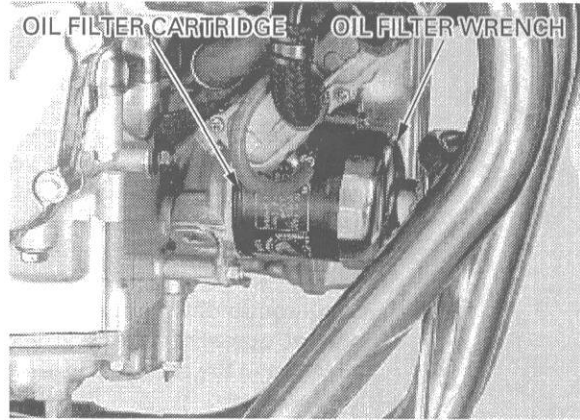


Loosen the oil filter cartridge using the special tool.

**TOOL:**

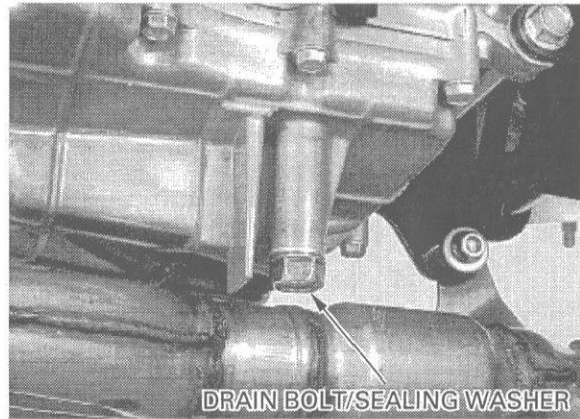
**Oil filter wrench**                      07HAA-PJ70100

Pull the oil filter cartridge forward, then remove from the right side and discard it.



Check that the sealing washer on the drain bolt is in good condition, replace if necessary. Install and tighten the drain bolt.

**TORQUE:** 29 N·m (3.0 kgf·m , 22 lbf·ft)



Apply oil to the new oil filter cartridge O-ring.

Install the new oil filter cartridge and tighten it to the specified torque.

**TOOL:**

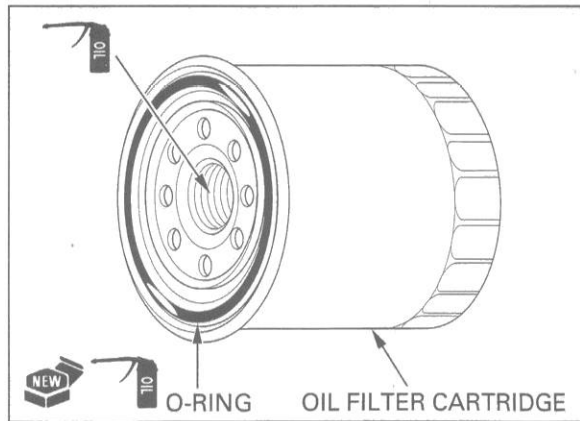
**Oil filter wrench**                      07HAA-PJ70100

**TORQUE:** 10 N·m (1.0 kgf·m , 7 lbf·ft)

Fill the crankcase with recommended engine oil.

**OIL CAPACITY:**

- 3.5 ℓ (3.7 US qt , 3.1 Imp qt) at draining
- 3.8 ℓ (4.0 US qt , 3.3 Imp qt) at oil filter change



Install the oil level dipstick.

Start the engine and let it idle for 2 to 3 minutes. Stop the engine and recheck the oil level. Make sure there are no oil leaks.

