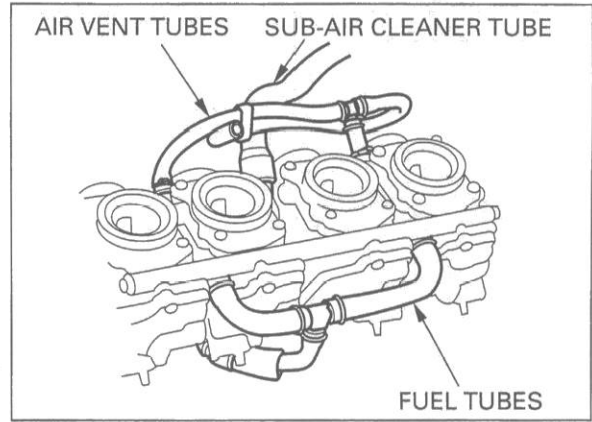


CARBURETOR SEPARATION

NOTE:

The vacuum chamber and float chamber can be serviced without separating the carburetors.

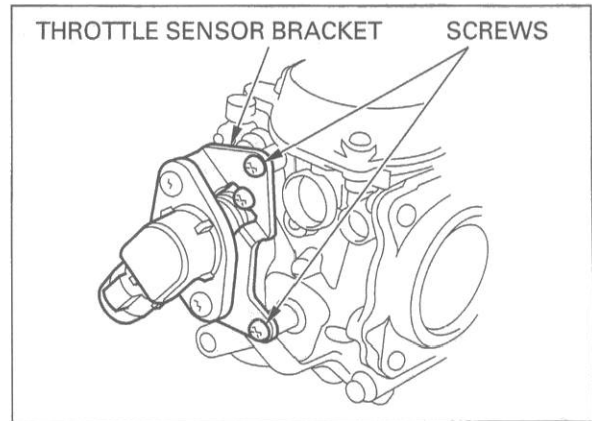
Disconnect the fuel tube from the fuel joint.
Disconnect the air vent tubes and sub-air cleaner tube.



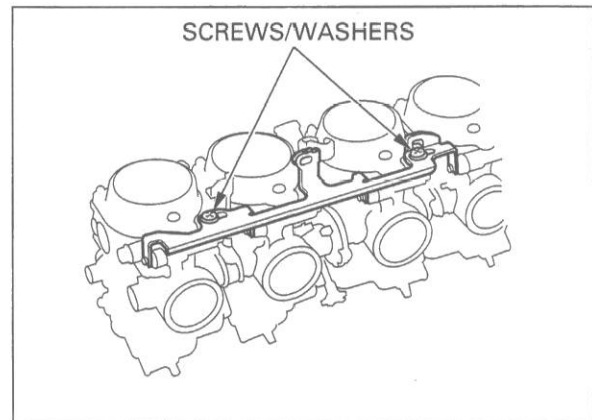
NOTE:

At carburetor separation, it is not necessary to remove the throttle sensor from the carburetor body.

If necessary, remove the screws and throttle sensor bracket assembly from the carburetor body.



Remove the starting enrichment (SE) valve arm screws and washers.
Remove the SE valve arm and plastic collars.



Loosen and remove the carburetor connecting 6 mm nut and 5 mm nut.

NOTE:

Loosen the nuts gradually and alternately.

