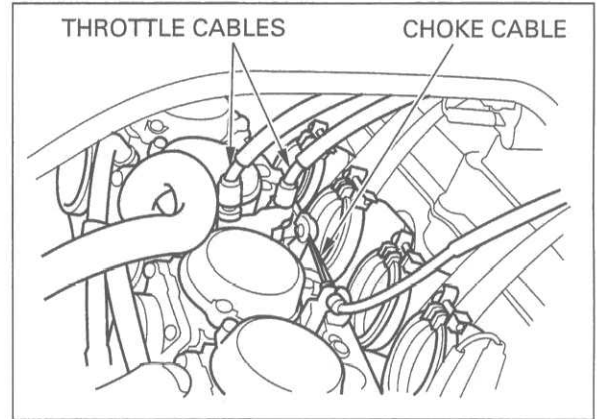


CARBURETOR INSTALLATION

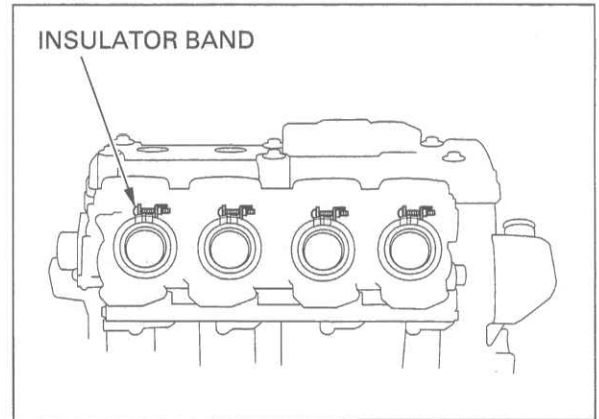
Connect the throttle cable ends to the throttle drum and install the throttle cables on to the cable holder. Connect the choke cable end to the starting enrichment valve arm.

Coat the inside of the carburetor insulators with clean engine oil for ease of installation.

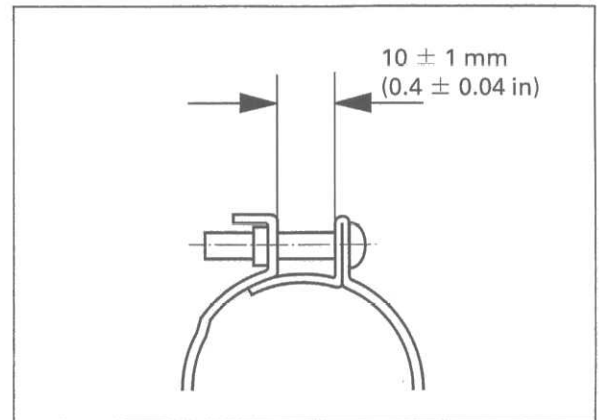
Install the carburetor assembly onto the carburetor insulators.



Adjust the insulator band angle.



Tighten the insulator band screws so that the band ends clearance is 10 ± 1 mm (0.4 ± 0.04 in).



Connect the throttle sensor 3P (Black) connector. Install the throttle sensor connector cover.

Install the removed parts in the reverse order of removal.

