

Install and tighten the cylinder head cover special bolts to the specified torque.

NOTE:

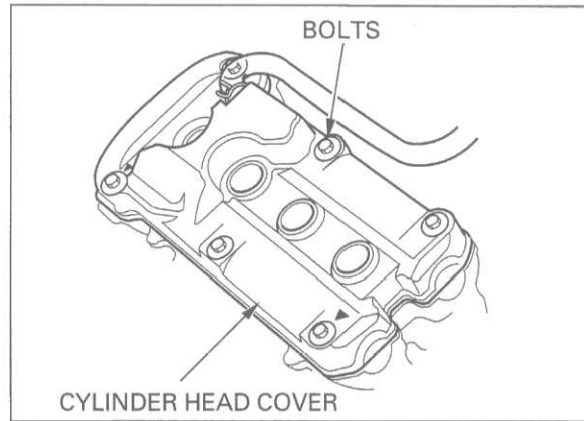
Tighten the "△" marked side bolts first.

TORQUE: 10 N·m (1.0 kgf·m , 7 lbf·ft)

Connect the crankcase breather tube.
Install the ignition coil and spark plug caps.

Install the following:

- Carburetor (page 5-24)
- Air cleaner housing (page 5-5)

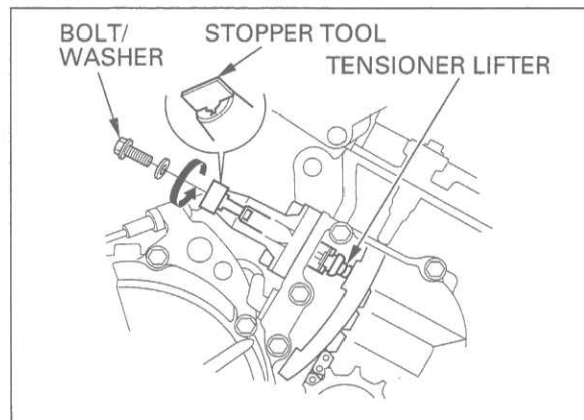


CAM CHAIN TENSIONER LIFTER

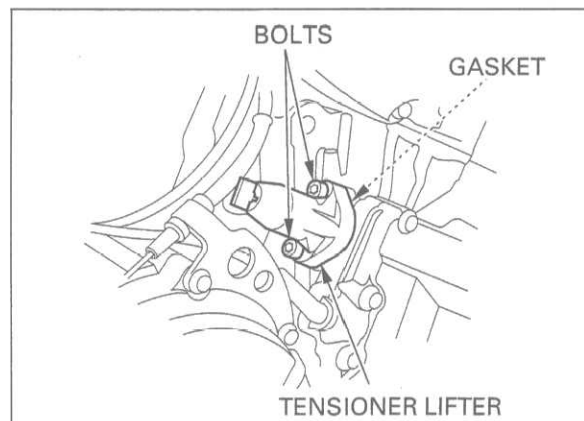
REMOVAL

Remove the cam chain tensioner sealing bolt and sealing washer.

Turn the tensioner shaft fully in (clockwise) and secure it using the stopper tool to prevent damaging the cam chain.
See page 8-5 for detail of the tool.



Remove the bolts, sealing washers and cam chain tensioner lifter.
Remove the gasket.



INSTALLATION

Install the new gasket onto the cam chain tensioner lifter.

NOTE:

Note the direction of the gasket.

