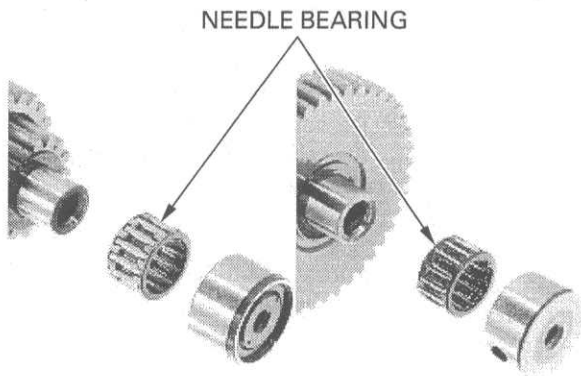


INSPECTION

Check the mainshaft and countershaft needle bearings for damage or excessive wear.

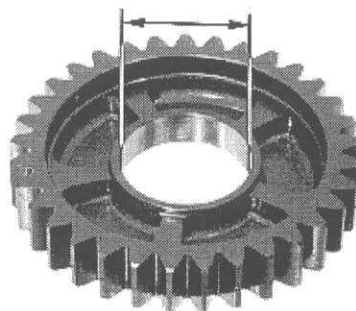


Check the gear dogs, dog holes and teeth for abnormal wear or lack of lubrication. Measure the I.D. of each gear.

SERVICE LIMITS:

- M5, M6:** 28.04 mm (1.104 in)
- C2, C3, C4:** 31.04 mm (1.222 in)

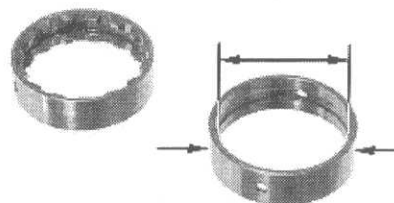
Check the shift fork groove of the shifter gear for excessive wear or damage.



Measure the I.D. and O.D. of each gear bushing.

SERVICE LIMITS:

- O.D.: M5, M6:** 27.94 mm (1.100 in)
- C2:** 30.94 mm (1.218 in)
- C3, C4:** 30.93 mm (1.218 in)
- I.D.: M5:** 25.016 mm (0.9849 in)
- C2:** 28.021 mm (1.1032 in)



Measure the O.D. of the mainshaft and countershaft.

SERVICE LIMITS:

- M5:** 24.960 mm (0.9827 in)
- C2:** 27.96 mm (1.101 in)

