

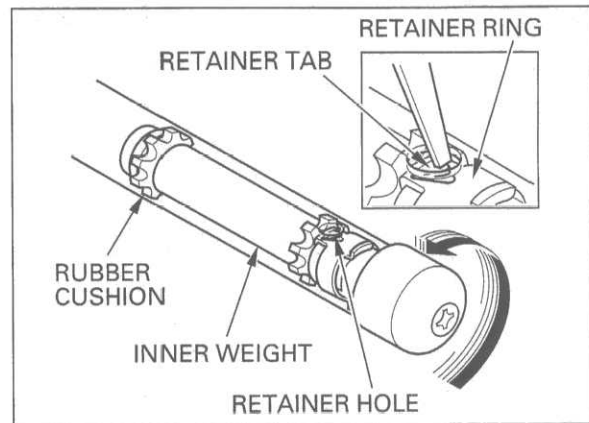
FRONT WHEEL/SUSPENSION/STEERING

HANDLEBAR WEIGHT REPLACEMENT

Remove the grip from the handlebar.
Straighten the weight retainer tab by the screwdriver or punch.
Temporarily install the handlebar weight and screw, then remove the inner weight by turning the handlebar weight.

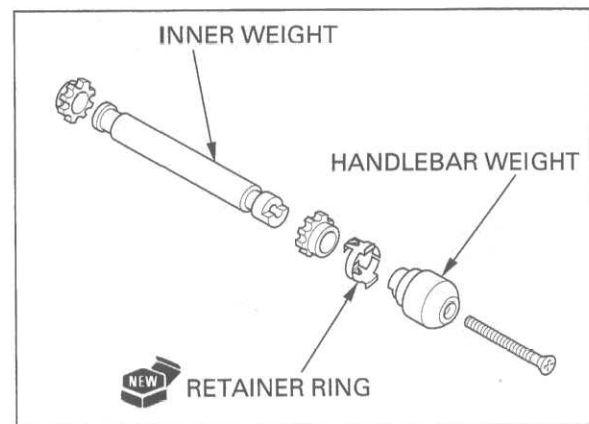
NOTE:

Apply lubricant spray (CRC 5-56 or an equivalent) through the tab retainer hole to the rubber for easy removal.



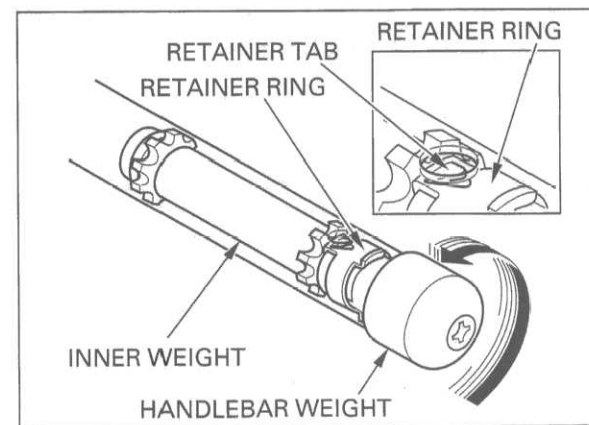
Remove the handlebar weight front the inner weight.
Discard the retainer.

Install the new retainer onto the handlebar inner weight.
Install the handlebar weight onto the inner weight aligning its boss with the slot in the inner weight.
Install a new mounting screw.



For easy installation, apply soapy water to the rubber cushions.

Insert the handlebar weight assembly into the handlebar.
Turn the handlebar weight and hook the retainer tab with the hole in the handlebar.



Install the choke lever onto the left side of the handlebar.

