

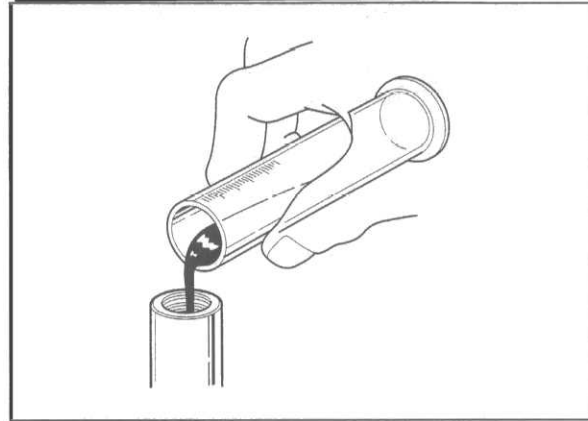
Pour the specified amount of recommended fork fluid into the fork tube.

RECOMMENDED FORK FLUID: Fork fluid

FORK FLUID CAPACITY:

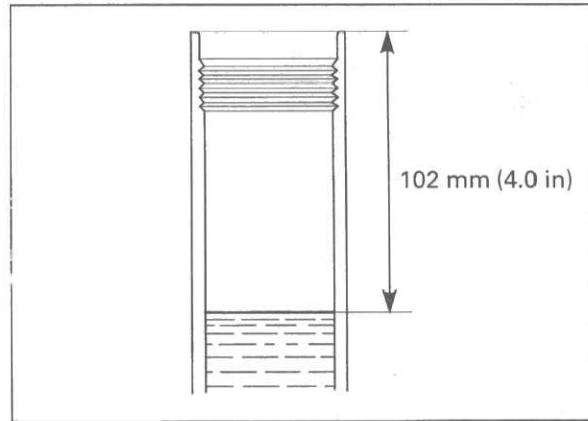
$486 \pm 2.5 \text{ cm}^3$ ($16.4 \pm 0.08 \text{ US oz}$, $17.1 \pm 0.09 \text{ Imp oz}$)

Pump the fork tube several times to remove trapped air from the lower portion of the fork tube.



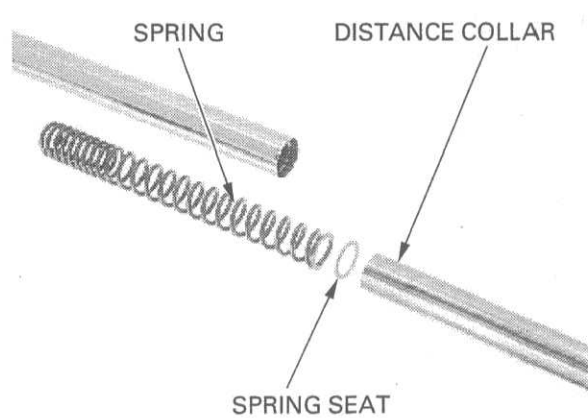
Compress the fork leg fully and measure the oil level from the top of the fork tube.

FORK OIL LEVEL: 102 mm (4.0 in)



Pull the fork tube up and install the fork spring with the tightly wound coil end facing down.

Install the fork spring seat and distance collar.



Apply fork fluid to the new O-ring.
Install a O-ring onto the fork cap.
Install the fork cap onto the fork tube.

