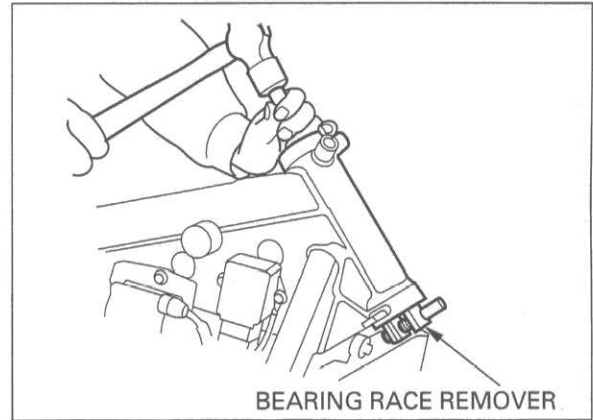


# FRONT WHEEL/SUSPENSION/STEERING

Remove the lower bearing outer races using the special tool.

**TOOL:**

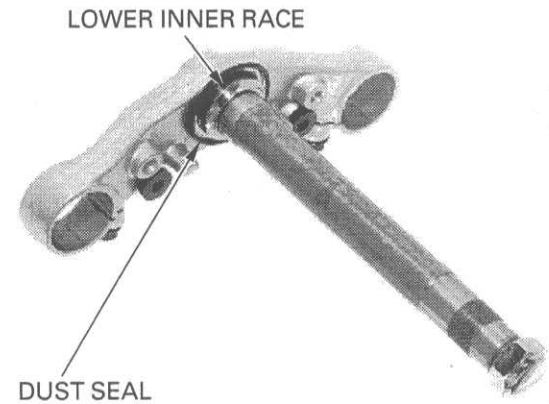
**Bearing race remover** 07946-3710500



Install the steering stem nut onto the stem to prevent the threads from being damaged when removing the lower bearing inner race from the stem.

Remove the lower bearing inner race with a chisel or equivalent tool, being careful not to damage the stem.

Remove the dust seal.



## INSTALLATION

