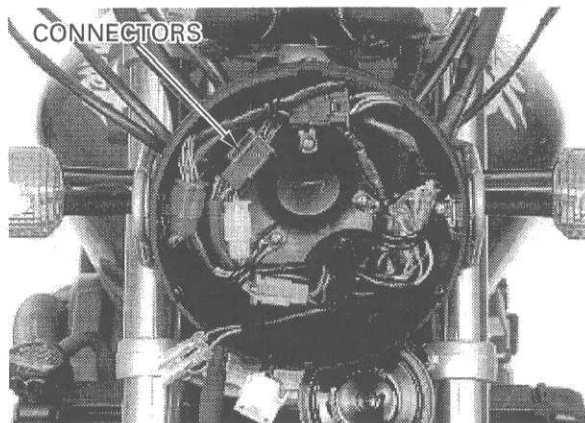


HEADLIGHT CASE REMOVAL/INSTALLATION

Remove the headlight unit (see previous page).

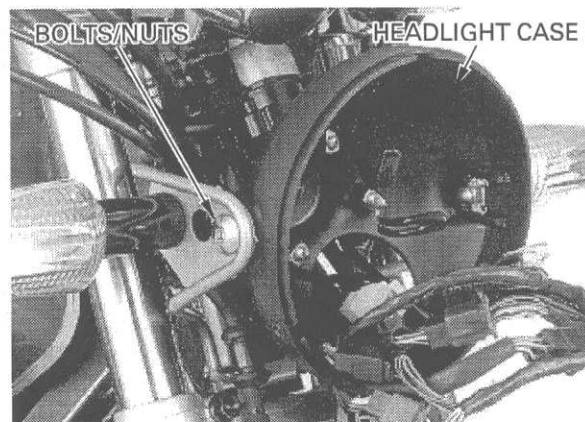
Disconnect the connectors and remove the wires from the headlight case.



Remove the rubber plugs from the headlight case mounting bolts.

Remove the headlight case mounting bolts/nuts and headlight case.

Installation is in the reverse order of removal.



POSITION LIGHT

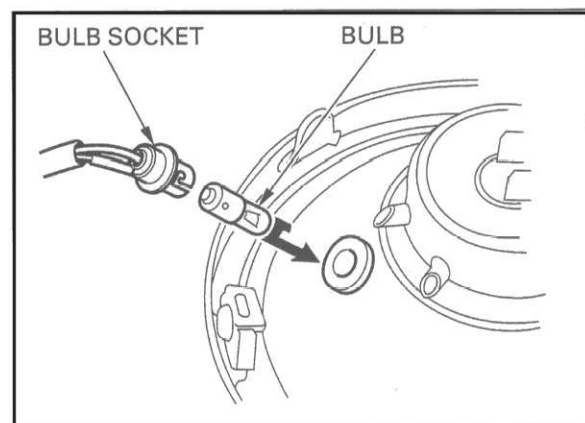
BULB REPLACEMENT

Remove the headlight unit (see previous page).

Pull out the position light bulb socket.

Push the bulb in and turn it counterclockwise, then remove the bulb and replace it with a new one.

Install the position light bulb in the reverse order of removal.



TURN SIGNAL

BULB REPLACEMENT

Remove the screw, turn signal lens and packing.

Push the bulb in and turn it counterclockwise, then remove the bulb and replace it with a new one.

Install the bulb in the reverse order of removal.

