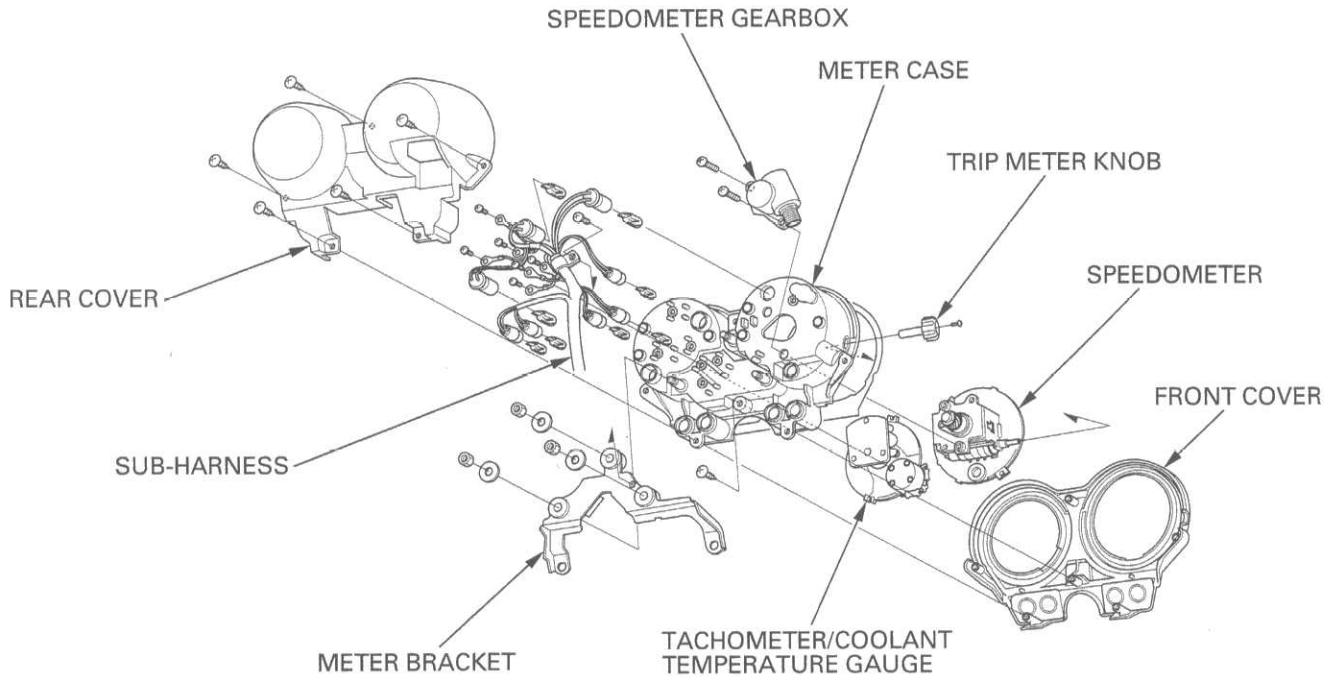


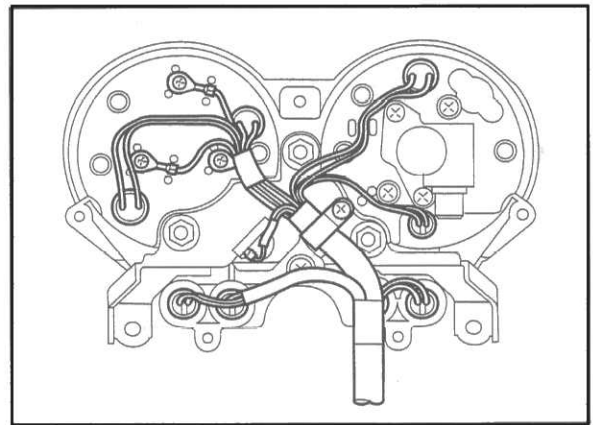
ASSEMBLY



Assemble the combination meter in the reverse order of removal.

NOTE:

Route the combination meter wires properly.



INSTALLATION

Install the combination meter in the reverse order of removal.

NOTE:

Route the combination meter sub-harness properly (page 1-22).

