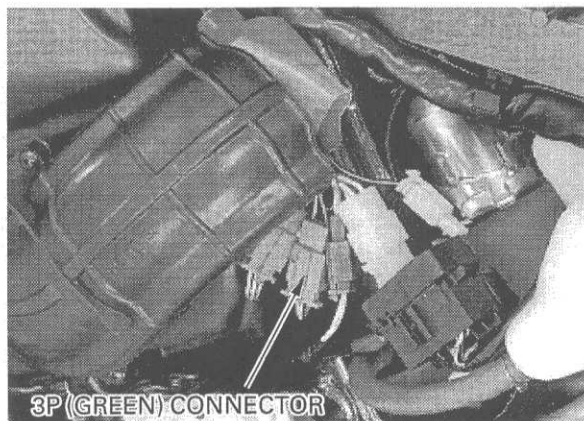


SIDE STAND SWITCH

INSPECTION

Remove the left side cover (page 2-2).

Disconnect the side stand switch 3P (Green) connector.

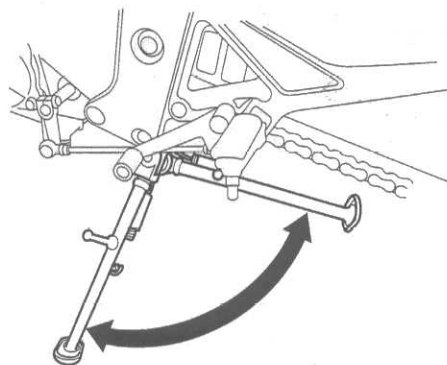
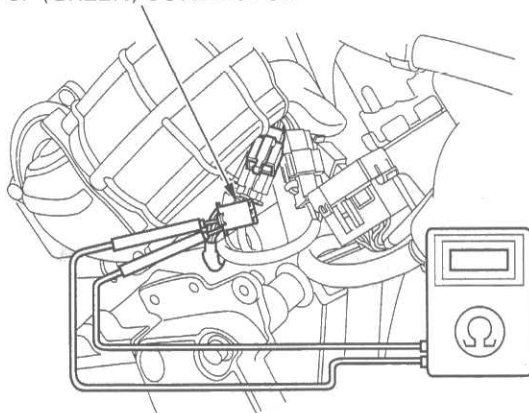


3P (GREEN) CONNECTOR

Check for continuity between the wire terminals of the side stand switch connector.

There should be continuity with the side stand UP and there should be no continuity with the side stand DOWN.

3P (GREEN) CONNECTOR



REMOVAL/INSTALLATION

Disconnect the side stand switch 3P (Green) connector.

Remove the bolt and side stand switch.

Install the side stand switch by aligning the switch pin with the side stand hole and the switch groove with the return spring holding pin.

Install and tighten a new side stand switch bolt.

TORQUE: 10 N·m (1.0 kgf·m , 7 lbf·ft)

