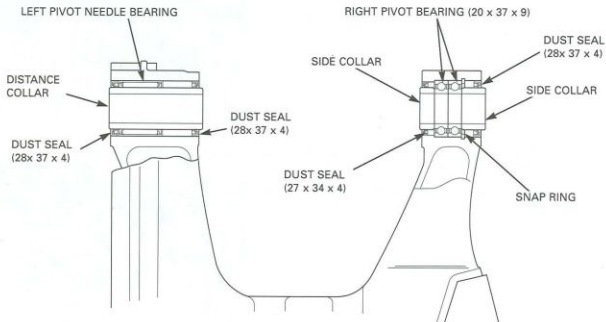
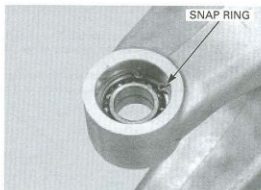


REAR WHEEL/SUSPENSION

PIVOT BEARING REPLACEMENT



Remove the snap ring.



Remove the right pivot radial ball bearing using the special tools.

TOOLS:

Bearing remover handle	07936-3710100
Bearing remover shaft set, 20mm	07936-3710600
Remover weight	07741-0010201

