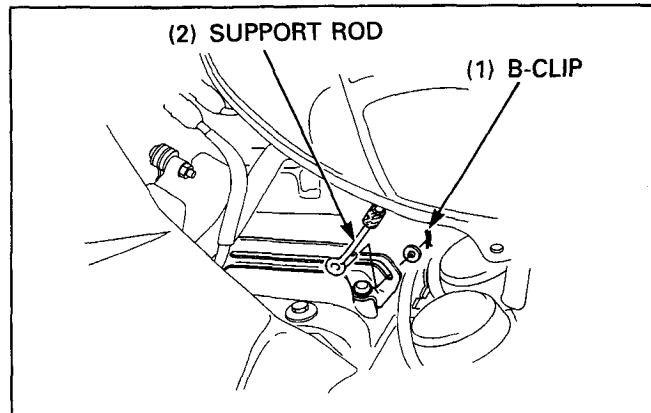


Frame/Body Panels/Exhaust System

Remove the B-clip and washer from the support rod.



Remove the pivot bolt/nut and the fuel tank.

Installation

Installation is in the reverse order of removal.

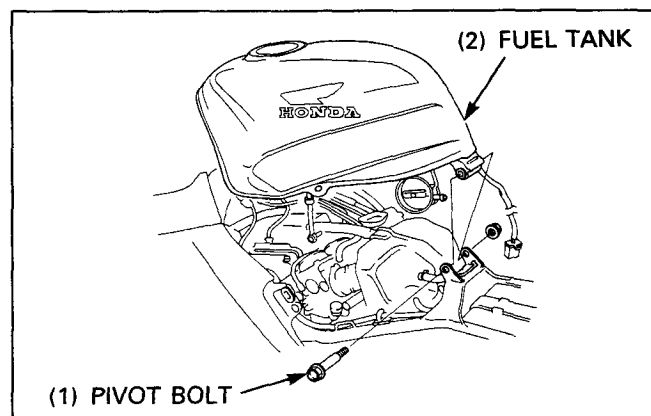
Torque:

Fuel tank pivot nut: 10 N·m (1.0 Kg-m, 7 ft-lb)

Fuel tank mounting bolt: 10 N·m (1.0 Kg-m, 7 ft-lb)

NOTE

- After installation, make sure there are not fuel leaks.



Exhaust System

⚠ WARNING

- Do not service the exhaust system while it is hot.

Muffler Removal

Remove the pivot covers and pivot under covers (page 2-5, 6).

Loosen the muffler clamp bolts.

Remove the muffler mounting bolts/nuts, then remove the muffler.

Remove the gasket.

