

## Headlight Aim

**⚠ WARNING**

- An improperly adjusted headlight may blind oncoming drivers, or it may fail to light the road for a safe distance.

**NOTE**

- Adjust the headlight beam as specified by local laws and regulations.

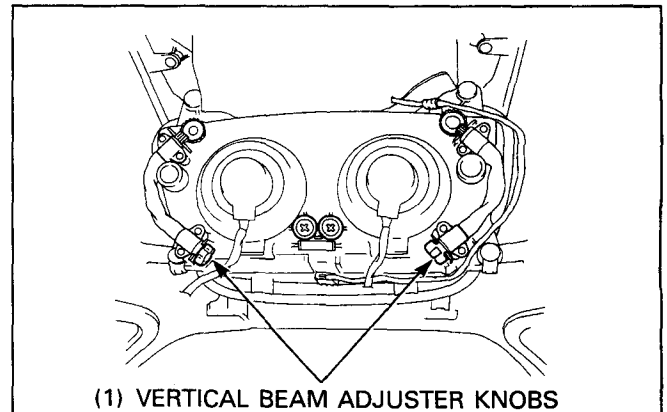
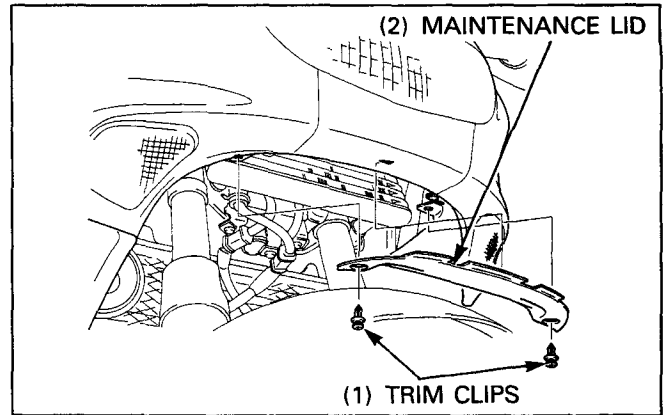
Remove the trim clips and maintenance lid.

### Vertical Beam Adjustment

Adjust the vertical beam with the adjusting knobs.

Turn the adjuster knob clockwise, beam moves down.

Turn the adjuster knob counterclockwise, beam moves up.



### Horizontal Beam Adjustment

Adjust the horizontal beam, turning the adjuster using a Phillips screwdriver as shown.

**Left headlight:**

Turn the adjuster screw clockwise, headlight beam moves to the left side.

Turn the adjuster screw counterclockwise, beam moves to the right side.

**Right headlight:**

Turn the adjusting screw clockwise, beam moves to the right side.

Turn the adjusting screw counterclockwise, beam moves to the left side.

