

Fuel System

Jet Needle Removal/Installation

Removal

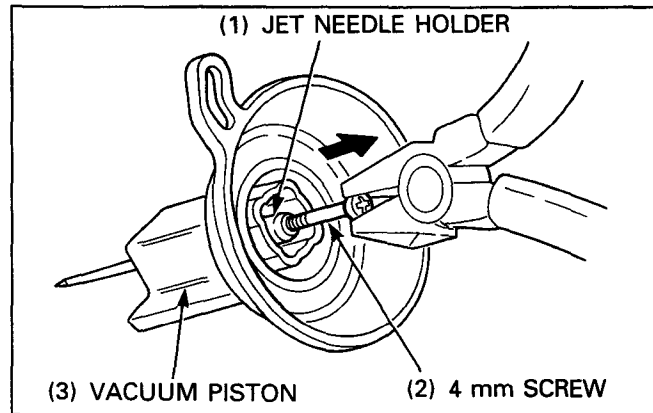
Remove the vacuum piston (page 5-8)

Temporarily install the 4mm screw or equivalent (Example; vacuum chamber screw).

Pull the screw and remove the jet needle holder.

CAUTION

- Be careful not to damage the diaphragm.
- Do not remove the jet needle holder by pushing the jet needle.



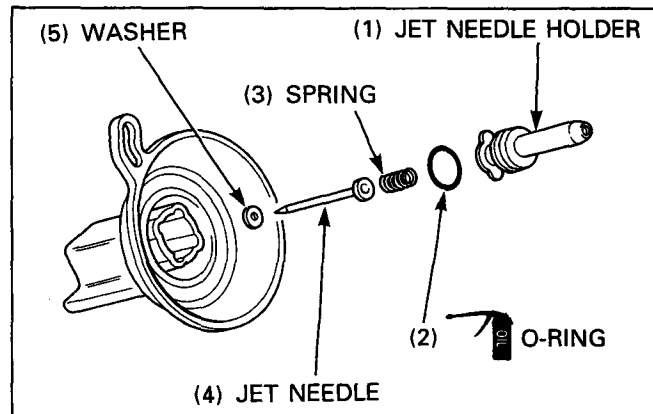
Installation

Check the O-ring on the jet needle holder is in good condition and replace if necessary.

Apply oil to the O-ring.

Install the jet needle holder into the vacuum piston until you felt the click so that the O-ring is installed into the groove in the vacuum piston.

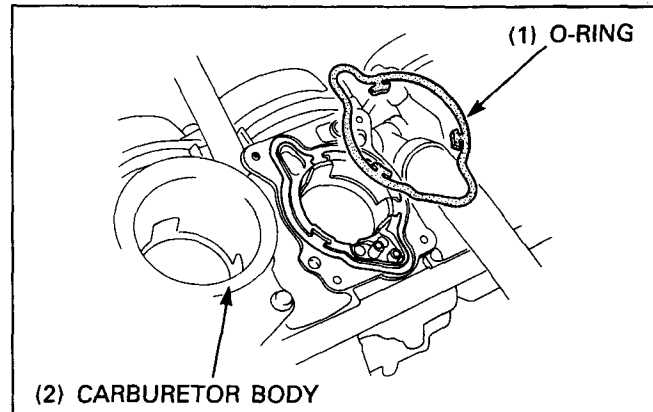
Install the vacuum piston (page 5-8).



Air Funnel Installation

Check the O-ring is in good condition and replace if necessary.

Install the O-ring into the carburetor body groove.



Install the air funnel into the holder.

