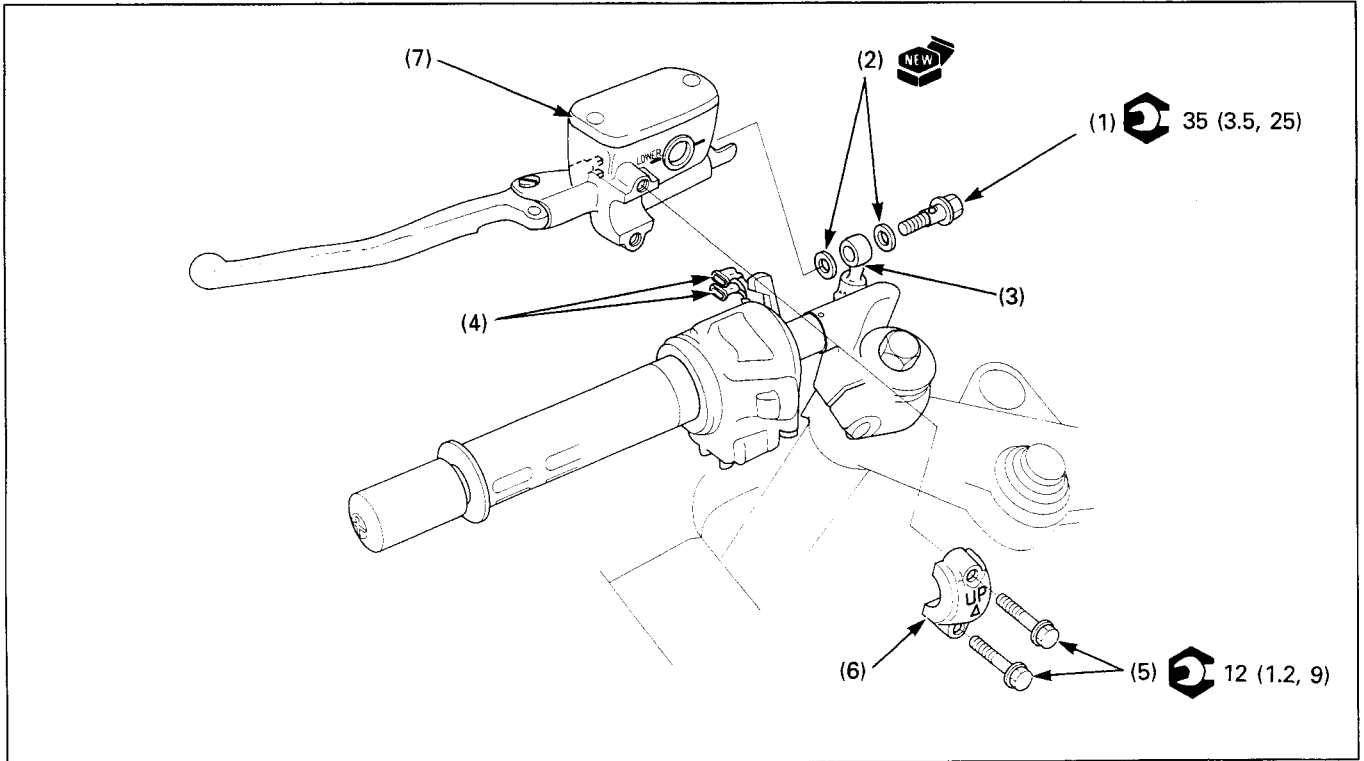


## Clutch Master Cylinder Removal/Installation



### CAUTION

- Avoid spilling fluid on painted, plastic, or rubber parts. Place a rag over these parts whenever the system is serviced.
- When removing the oil bolt, cover the end of the clutch hose to prevent contamination.
- Do not allow the foreign material to enter the system.

### NOTE

- Use DOT 4 brake fluid from a sealed container.

### Requisite Service

- Clutch fluid draining/refilling
- Clutch system air bleeding

Procedure		O'ty	Remarks
<b>Removal Order</b>			Installation is in the reverse order of removal.
(1)	Clutch oil bolt	1	
(2)	Sealing washer	2	
(3)	Clutch hose eyelet joint	1	At installation, press the eyelet joint against the stopper while tightening the oil bolt.
(4)	Clutch switch connector	2	
(5)	Clutch master cylinder holder bolt	2	At installation, tighten the upper bolt first, then the lower bolt.
(6)	Clutch master cylinder holder	1	At installation, install the holder with its "UP" mark facing up.
(7)	Clutch master cylinder	1	At installation, align the mating surface with the punch mark on the handlebar.