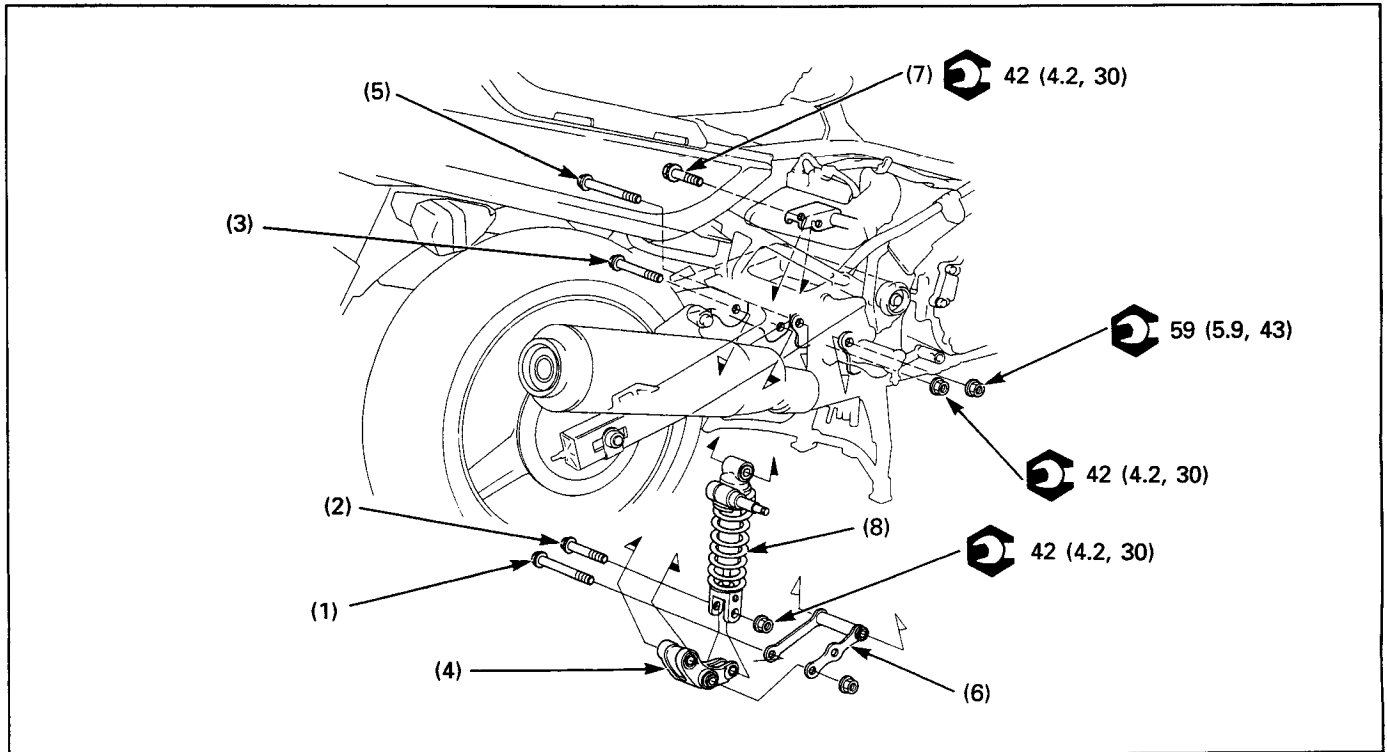


Suspension Linkage/Shock Absorber Removal/Installation



NOTE

- When removing the shock linkage and shock absorber, place the motorcycle on its center stand.

Requisite Service

- Side cover removal/installation (page 2-3)
- Pivot under cover removal/installation (page 2-6)

Procedure	Q'ty	Remarks
Removal Order		Installation is in the reverse order of removal.
(1) Shock link-to-shock arm bolt/nut	1/1	
(2) Shock absorber lower mounting bolt/nut	1/1	
(3) Shock arm-to-swingarm bolt/nut	1/1	
(4) Shock arm	1	
(5) Shock link-to-frame bolt/nut	1/1	
(6) Shock link	1	
(7) Shock absorber upper mounting bolt	1	
(8) Shock absorber	1	
		CAUTION
		• Do not disassemble the shock absorber.