

Brake System

Connect a commercially available Brake Bleeder to the front brake caliper outer bleed valve.

NOTE

- When using a brake bleeder, follow the manufacturer's operating instructions.

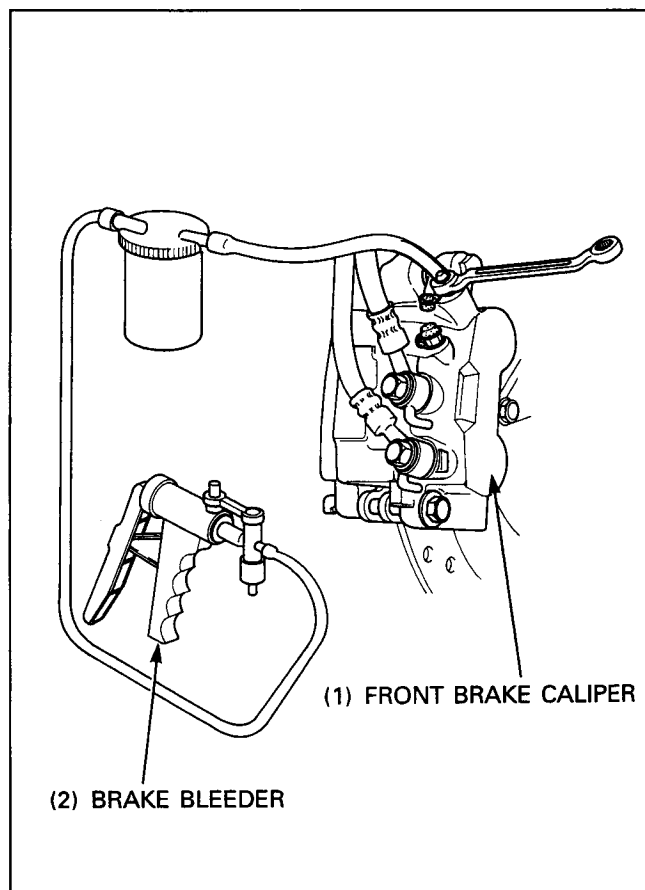
Pump the brake bleeder and loosen the bleed valve.

Add DOT 4 brake fluid when the fluid level in the master cylinder is low.

Repeat the above procedures until not air bubbles appear in the tube.

NOTE

- Check the fluid level often while bleeding the brakes to prevent air from being pumped into the system.
- Use only DOT 4 brake fluid from a sealed container.
- If air is entering the bleeder from around the bleed valve threads, seal the threads with teflon tape.



If the brake bleeder is not available, perform the following procedures.

Connect the transparent bleeder tube to the bleed valve and place the outer end of the hose in a container.

1. Loosen the bleed valve 1/4 turn and pump the brake lever until the brake fluid flow out. Pump the brake lever 5-10 times, then pull in the brake lever all the way and loosen the bleed valve.

NOTE

- Do not release the brake lever while opening the bleed valve.

Close the bleed valve.

2. Release the brake lever slowly and wait several seconds after it reaches the end of its travel.
3. Repeat above step 1 and 2 until bubbles cease to appear in the fluid at the end of the bleed tube and lever resistance is felt.

Tighten each bleed valve to the specified torque.

Torque: 5.4 N·m (0.54 kg-m, 3.9 ft-lb)

