

Charging System Inspection

Leakage Test

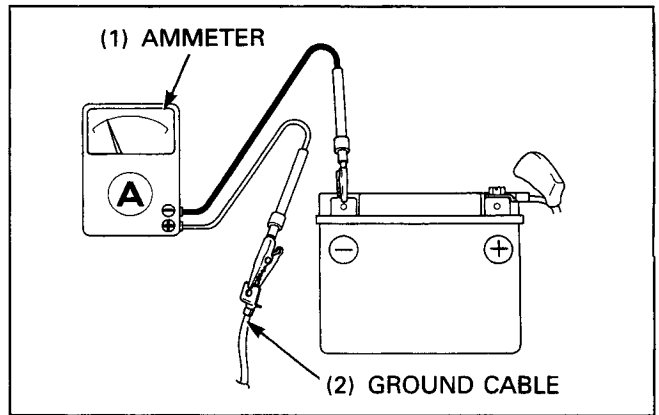
Turn the ignition switch off, and disconnect the ground (-) cable from the battery.

Connect the ammeter (+) probe to the ground cable and the ammeter (-) probe to the battery (-) terminal.

With the ignition switch off, check for current leakage.

NOTE

- When measuring the current using a tester, set it to a high range, and then bring the range down to an appropriate level. Current flow larger than the range selected may blow out the fuse in the tester.
- While measuring current, do not turn the ignition switch ON. A sudden surge of current may blow out the fuse in the tester.



Specified Current Leakage: 0.1 mA max.

If current leakage exceeds the specified value, a shorted circuit is likely.

Regulated Voltage Inspection

NOTE

- Before performing this test, be sure the battery is fully charged and that its specific gravity is greater than 1.27 (20°C/68°F).

Start the engine and warm it to operating temperature, then turn the ignition switch OFF.

Connect the multimeter between the battery terminals.

S.TOOL

Digital multimeter

Analogue tester

07411-002000

07308-002001

