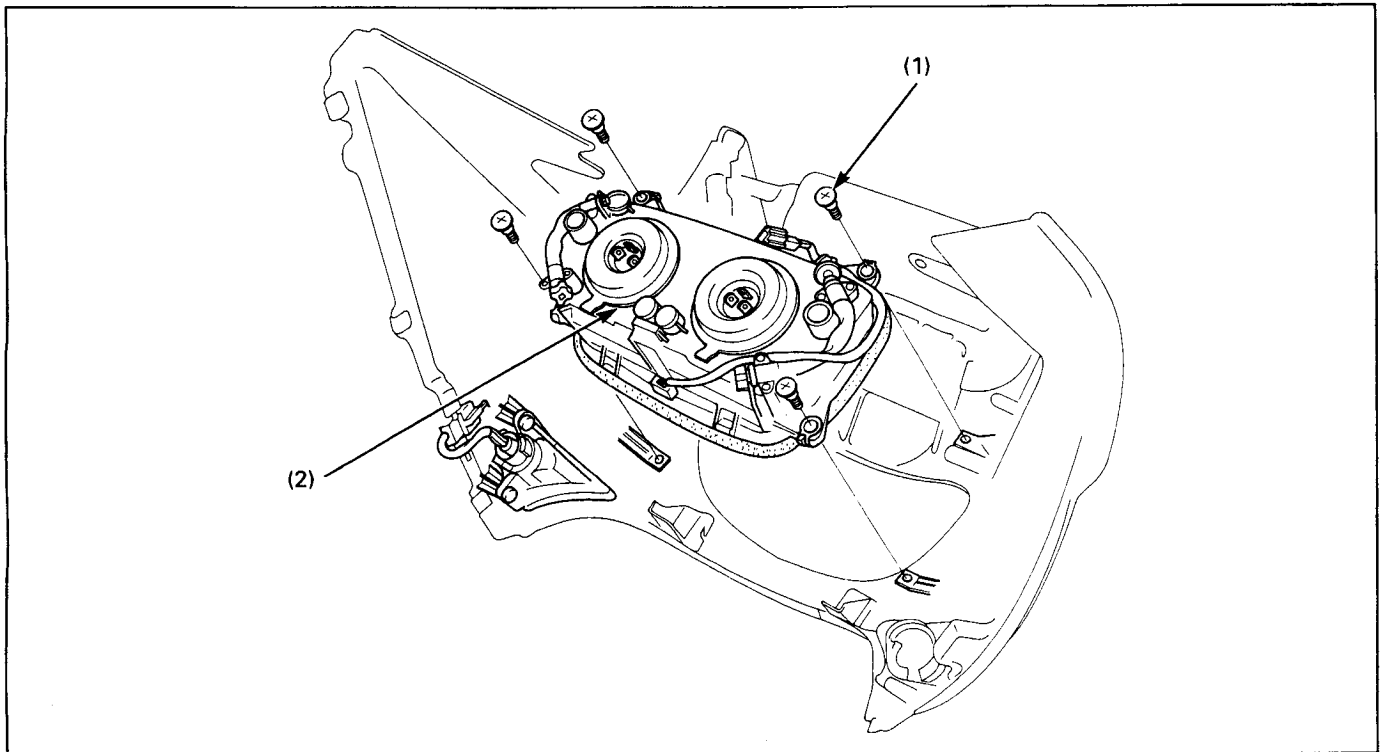


Headlight Removal/Installation



⚠ WARNING

- An improperly adjusted headlight may blind on-coming drivers, or it may fail to light the road for a safe distance.

NOTE

- Adjust the headlight beam as specified by local laws and regulations.
- After installation, route the wires and cable properly (page 1-23).

Requisite Service

- Upper fairing removal/installation (page 2-7)

Procedure		Q'ty	Remarks
(1)	Removal Order Screw	4	Installation is in the reverse order of removal.
(2)	Headlight assembly	1	At installation, install the headlight sealed rubber securely as shown.