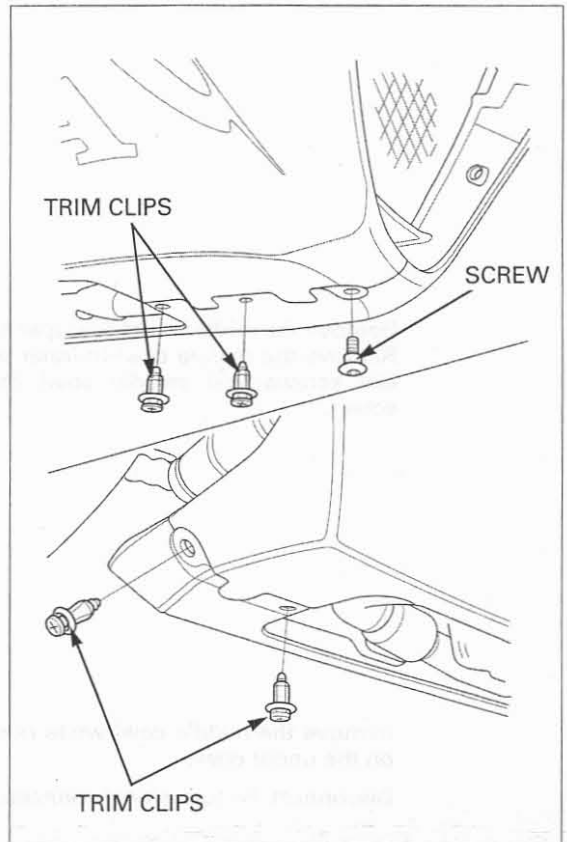


UNDER COWLS/MIDDLE COWLS

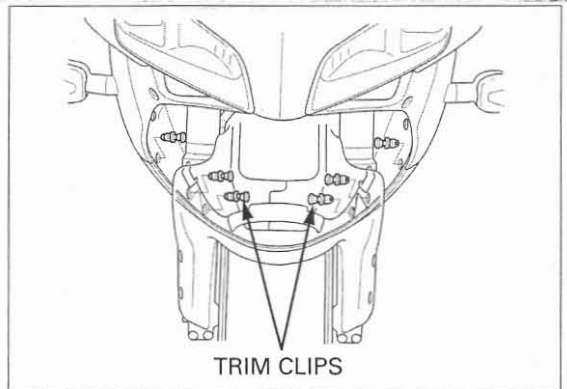
REMOVAL

Be careful not to damage the tabs and grooves.

Remove the special screw and four trim clips from the bottom of the under cowls.



Remove the six trim clips from the inner lower cowl and inner middle cowl.



Remove the under cowl-to-middle cowl pan screws. Remove the under cowl mounting special screws and then remove the under cowls and inner lower cowl.

