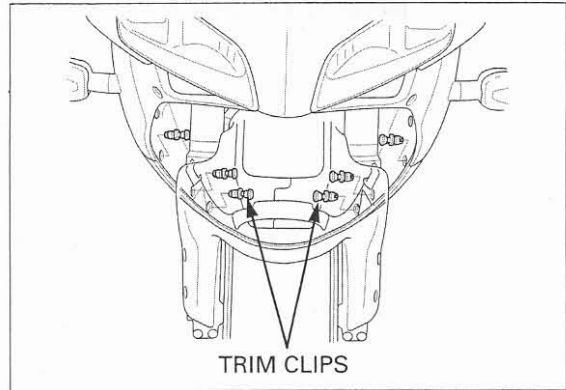


FRAME/BODY PANELS/EXHAUST SYSTEM

Secure the under cowl between the inner lower cowl and inner middle cowl using the six trim clips.

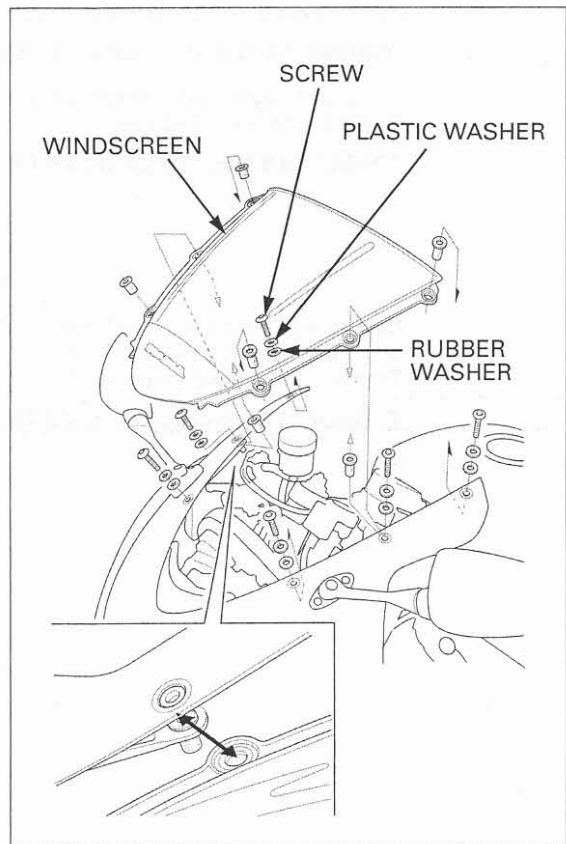


UPPER COWL

WINDSCREEN REMOVAL

Remove the under cowls/middle cowls (page 3-7).

Remove the screws, plastic and rubber washers, then remove the windscreen.



UPPER COWL REMOVAL

Remove the rearview mirror mounting socket bolts and rearview mirrors.

