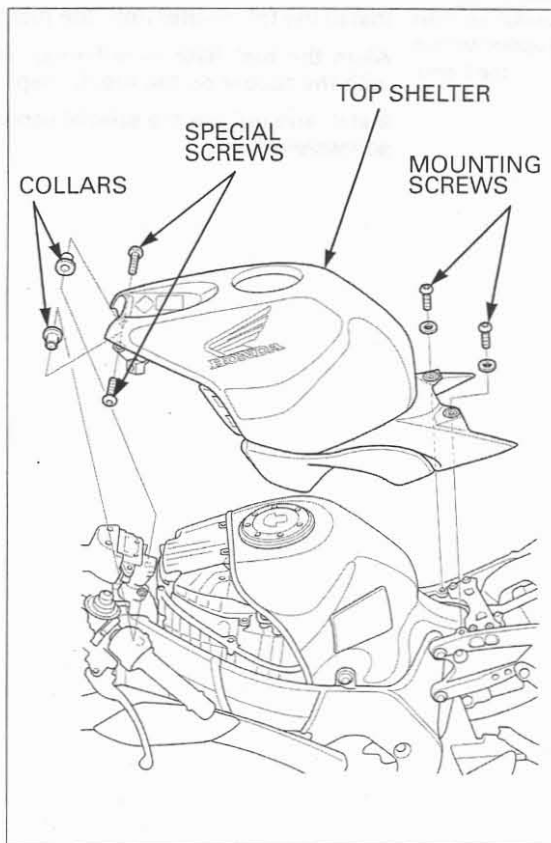


Remove the special screws, mounting screws/washers and top shelter.



Remove the screws and center cover from the top shelter.

Install the center cover, align the tab of the center cover into the groove of the top shelter, then tighten the screws.

