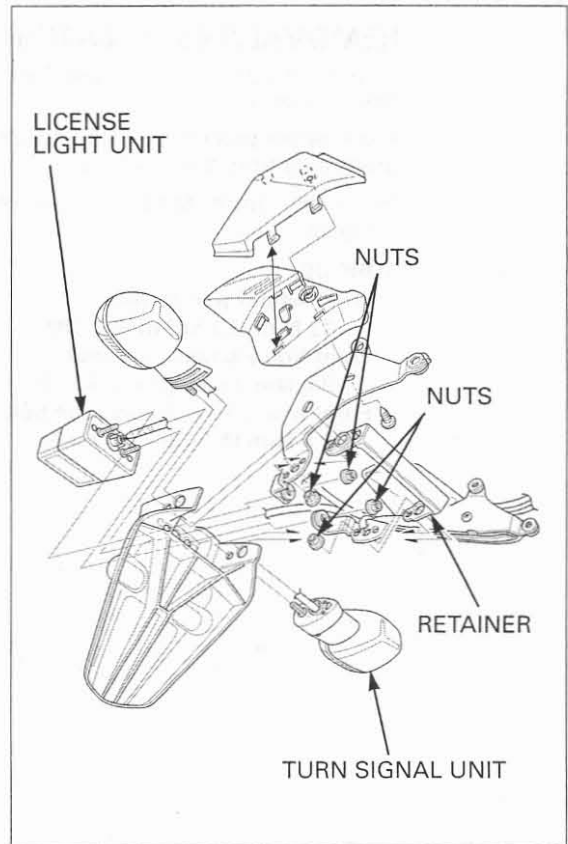


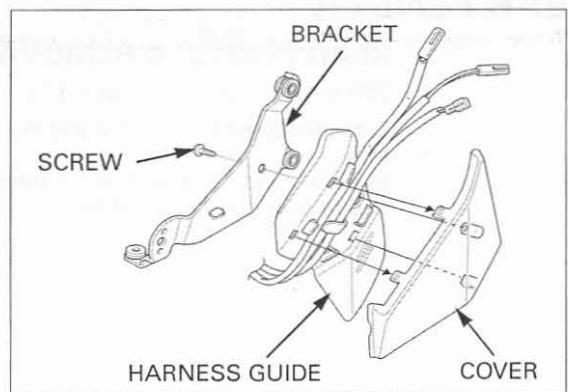
## FRAME/BODY PANELS/EXHAUST SYSTEM

### REAR FENDER A DISASSEMBLY

Remove the nuts and license light unit.  
Remove the nut, retainer and rear turn signal unit.



Remove the screw and left rear fender bracket, harness guide and cover.



### REAR FENDER B REMOVAL

Remove the battery (page 17-5).  
Remove the pan screws, muffler rear end cover and collar.

