

FUEL SYSTEM (Programmed Fuel Injection)

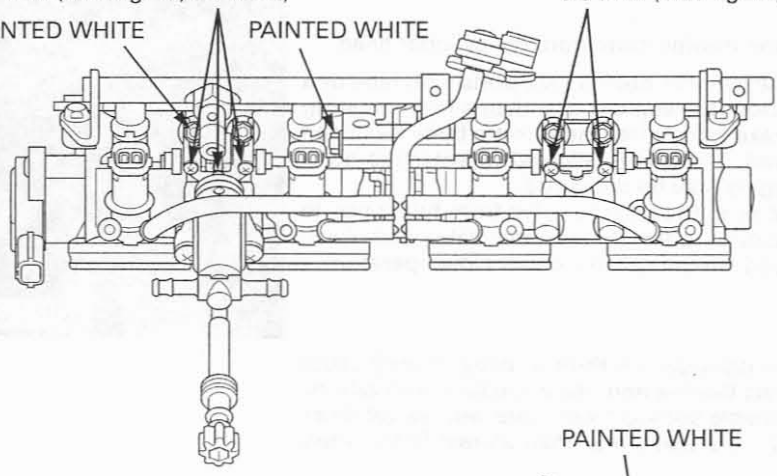
REAR VIEW:

0.9 N·m (0.09 kgf·m, 0.7 lbf·ft)

0.9 N·m (0.09 kgf·m, 0.7 lbf·ft)

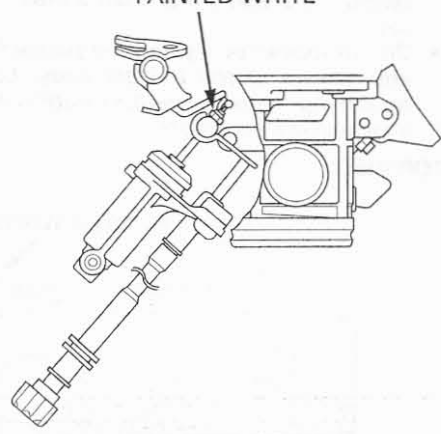
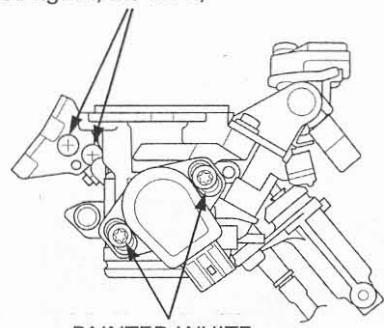
PAINTED WHITE

PAINTED WHITE

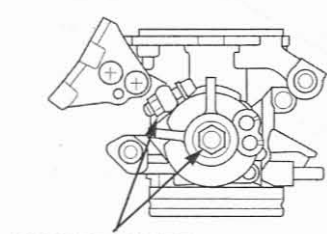


3 N·m (0.35 kgf·m, 2.5 lbf·ft)

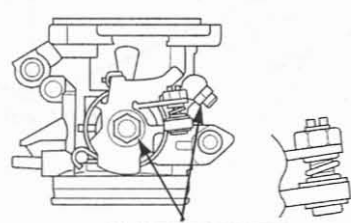
PAINTED WHITE



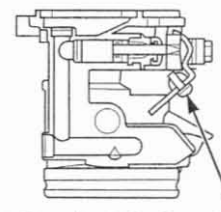
PAINTED WHITE



PAINTED WHITE



PAINTED WHITE



0.9 N·m (0.09 kgf·m, 0.7 lbf·ft)