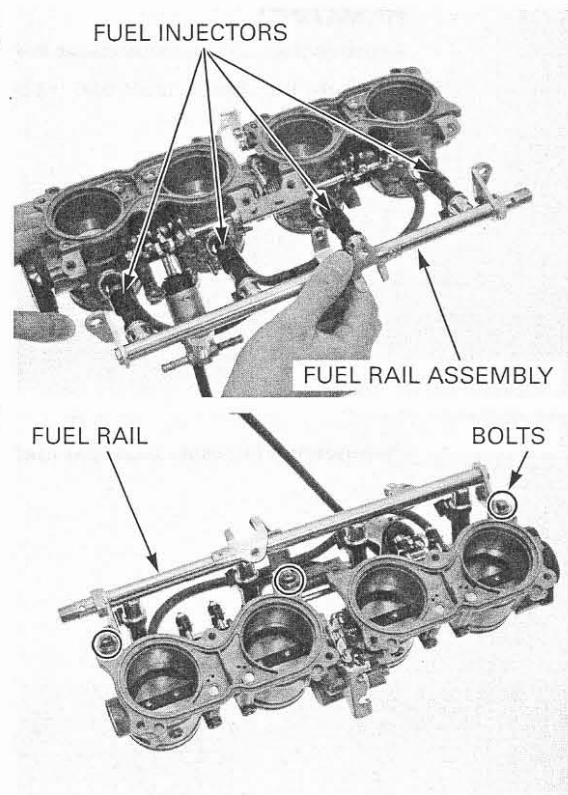


## FUEL SYSTEM (Programmed Fuel Injection)

Install the fuel rail/primary injector assembly onto the throttle body, being careful not to damage the seal rings.



Tighten the fuel rail mounting bolts to the specified torque.

**TORQUE: 9.8 N·m (1.0 kgf·m, 7 lbf·ft)**

Install the throttle body (page 6-52).

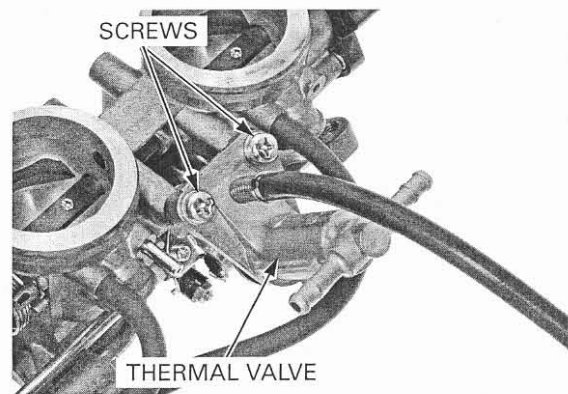
## IDLE AIR CONTROL (IAC) THERMAL VALVE

### REMOVAL/INSTALLATION

*Do not loosen or remove the thermal valve shaft lock nut and adjusting nut.*

Remove the throttle body (page 6-47).

Remove the thermal valve mounting screws.



Release the thermal valve shaft joint piece from the thermal valve link arm, then remove the thermal valve assembly.

