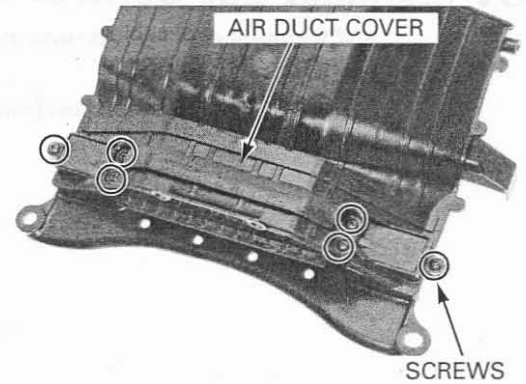


INTAKE AIR DUCT DIAPHRAGM/FLAP

Remove the intake air duct from the air cleaner housing (page 4-8).

Remove the screws and air duct cover.

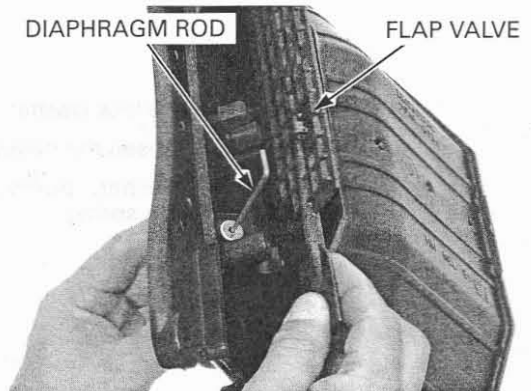


Unhook the diaphragm rod from the flap valve, then remove the flap valve.

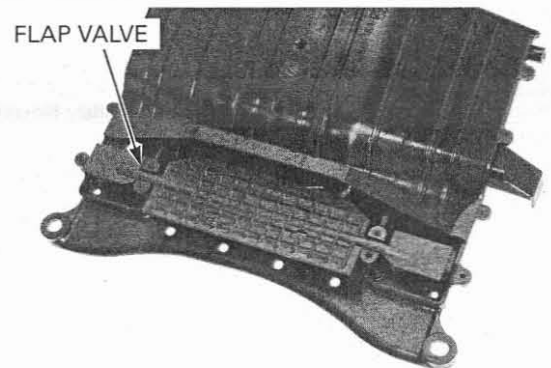
Remove the diaphragm from the intake air duct.

Install the diaphragm into the intake air duct.

Hook the diaphragm rod with the flap valve hole as shown.



Place the flap valve onto the intake air duct.



Install the air duct cover and tighten the screws to the specified torque.

TORQUE: 1.2 N·m (0.12 kgf·m, 0.9 lbf·ft)

Install the intake air duct to the air cleaner housing (page 4-8).

