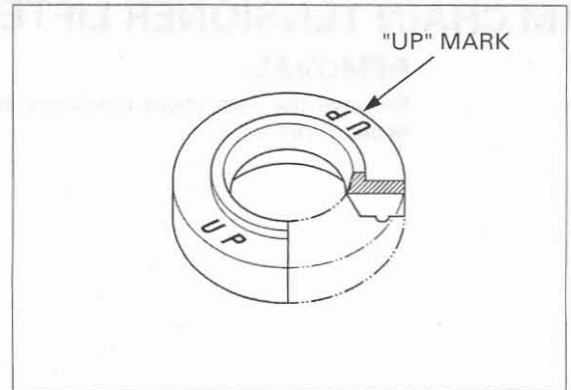


## CYLINDER HEAD/VALVES

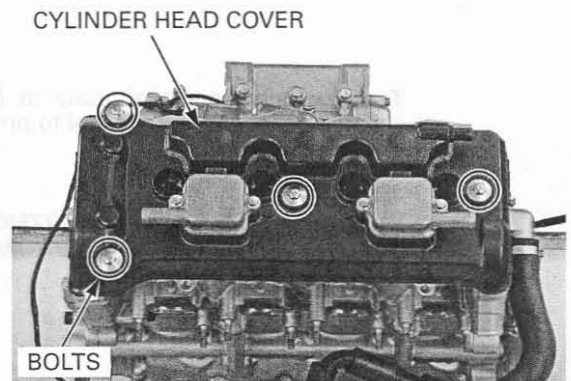
Install the cylinder head cover onto the cylinder head.

Install the washers to the cylinder head cover with their "UP" mark facing up.

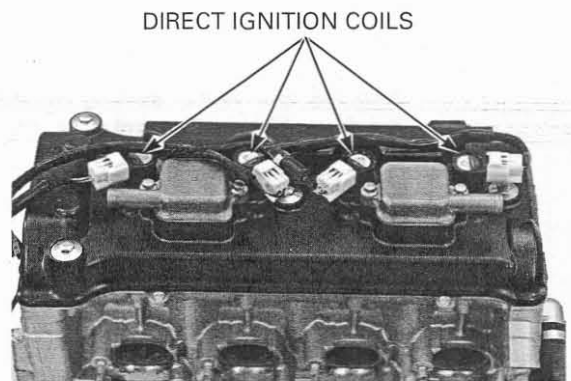


Install and tighten the cylinder head cover bolts to the specified torque.

**TORQUE: 9.8 N·m (1.0 kgf·m, 7 lbf·ft)**



Install the direct ignition coils and connect the ignition coil connectors.



Connect the PAIR air hoses onto the reed valve covers.

Connect the PAIR control solenoid valve 2P (Black) connector (page 6-71).

Install the crankcase breather hose to the cylinder head cover.

Install the throttle body (page 6-47).

