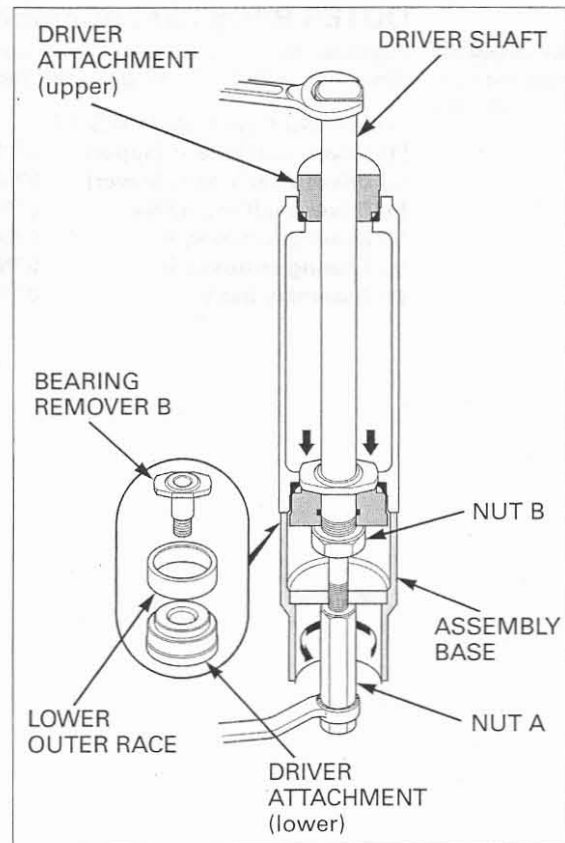


## FRONT WHEEL/SUSPENSION/STEERING

Note the installation direction of the assembly base; the large I.D. side facing the lower attachment.

Install the special tools into the steering head as shown and remove the lower outer race using the same procedure as for the upper outer race.



Remove any burrs from the outer race installation surface of the steering head.

Note the installation direction of the assembly base; the large I.D. side facing the lower attachment.

Install a new upper outer race with the special tools as shown. Hold the driver shaft with a wrench and turn the nut A gradually until upper outer race is fully seated.

