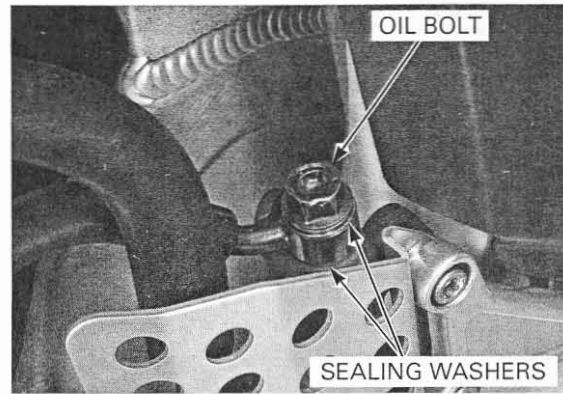


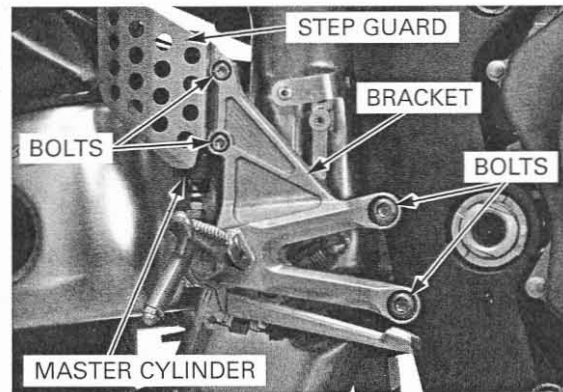
HYDRAULIC BRAKE

Avoid spilling fluid on painted, plastic, or rubber parts.

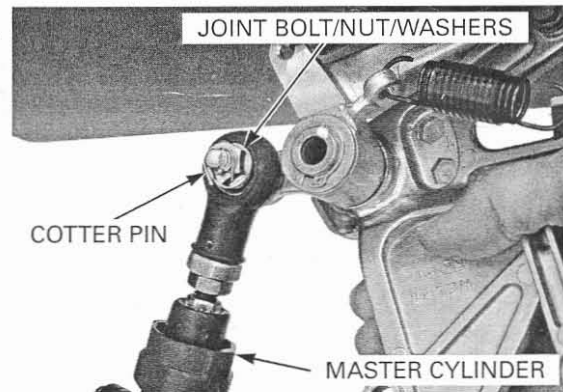
Remove the brake hose oil bolt, sealing washers and brake hose eyelet joint.



Loosen the rear master cylinder mounting bolts. Remove the bolts and right footpeg bracket, then remove the master cylinder mounting bolts, step guard and rear master cylinder from the right footpeg bracket.



Remove and discard the brake pedal joint cotter pin. Remove the nut, washers, joint bolt and rear master cylinder.



DISASSEMBLY

Remove the screw and reservoir hose joint from the master cylinder. Remove the O-ring from the reservoir joint.

