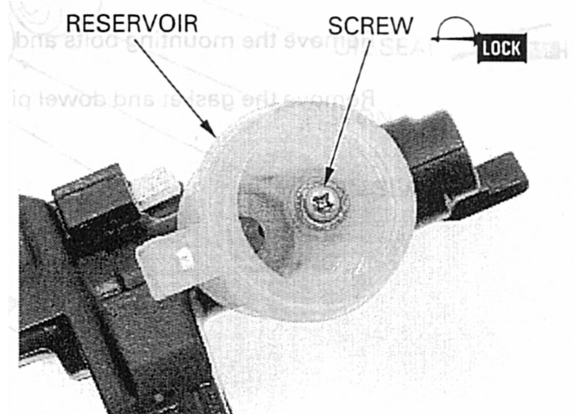


Coat new O-rings with clutch fluid and install them onto the master cylinder.



Apply locking agent to the reservoir mounting screw threads.
Install the reservoir and tighten the mounting screw.

TORQUE: 1 N·m (0.15 kgf·m , 1.1 lbf·ft)



Install the master cylinder and holder with the "UP" mark facing up.
Align the end of the master cylinder with the punch mark on the handlebar, and tighten the upper bolt first, then tighten the lower bolt.



Connect the clutch hose to the master cylinder with the oil bolt and new sealing washers, and tighten the oil bolt.

TORQUE: 34 N·m (3.5 kgf·m , 25 lbf·ft)

Connect the clutch switch connectors.

Fill and bleed the clutch hydraulic system (page 9-4).

