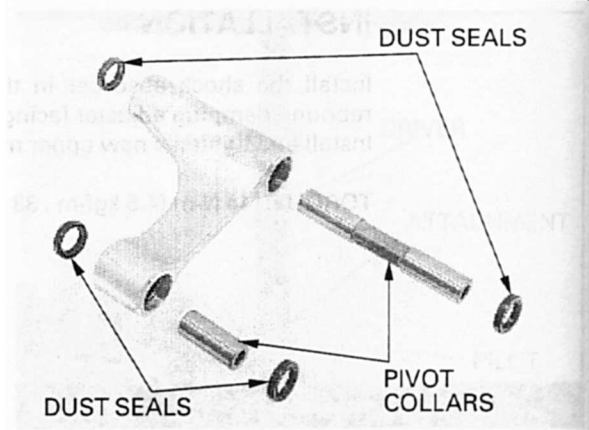


SHOCK LINK PIVOT BEARING REPLACEMENT

Remove the pivot collars and dust seals.



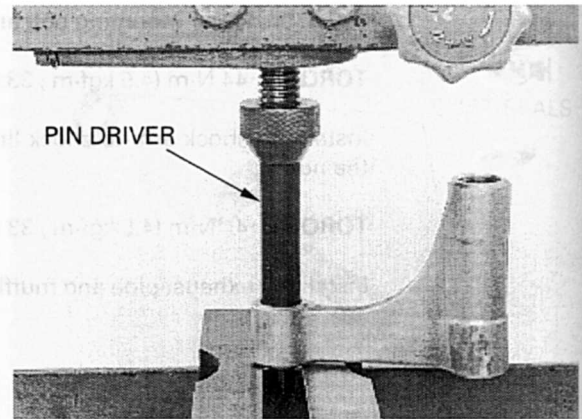
SHOCK ARM SIDE

Press the needle bearing out of the shock link pivot using the special tool.

TOOL:

Pin driver

07GMD-KT80100



Press in the bearing with the marking side facing up.

Apply molybdenum disulfide grease to the needle rollers of a new bearing.

Carefully press the needle bearing in the shock link pivot until the depth from the shock link outer surface is 5.2–5.7 mm (0.20–0.22 in), using the special tool.

TOOLS:

Driver

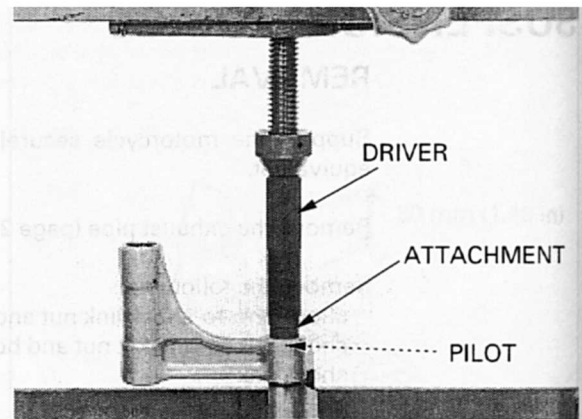
07749-0010000

Attachment, 24 × 26 mm

07746-0010700

Pilot, 17 mm

07746-0040400



SHOCK LINK BRACKET SIDE

Remove the needle bearings from the shock link pivot using the special tools.

TOOLS:

Bearing remover, 17 mm

07936-3710300

Bearing remover handle

07936-3710100

Sliding weight

07741-0010201

